

DIALS

SHIFT + DIAL = BLUE PARAMETER
PRESET + DIAL = GREY PARAMETER

PRESET

PRESET + KEY 1-8 = LOAD PRESET
PRESET + HOLD KEY 1-8 = SAVE PRESET
PRESET + KEY+ = PRESET BANK UP
PRESET + KEY- = PRESET BANK DOWN
PRESET + KEY- + KEY+ = INIT PRESET

ARP-SEQ

ARP-SEQ = ARPEGGIATOR ON/OFF
ARP-SEQ + KEY 1-8 | EXT MIDI NOTE = INPUT NOTE IN ARPEGGIATOR PATTERN
ARP-SEQ + EG = INPUT REST IN ARPEGGIATOR PATTERN

CLOCK

TURN RATE/TIME DIAL BELOW ZERO = MIDI SYNC (LF01, LF02 + DELAY)
CLOCK PRIORITY = 1) SYNC 2) EXT MIDI 3) INTERNAL

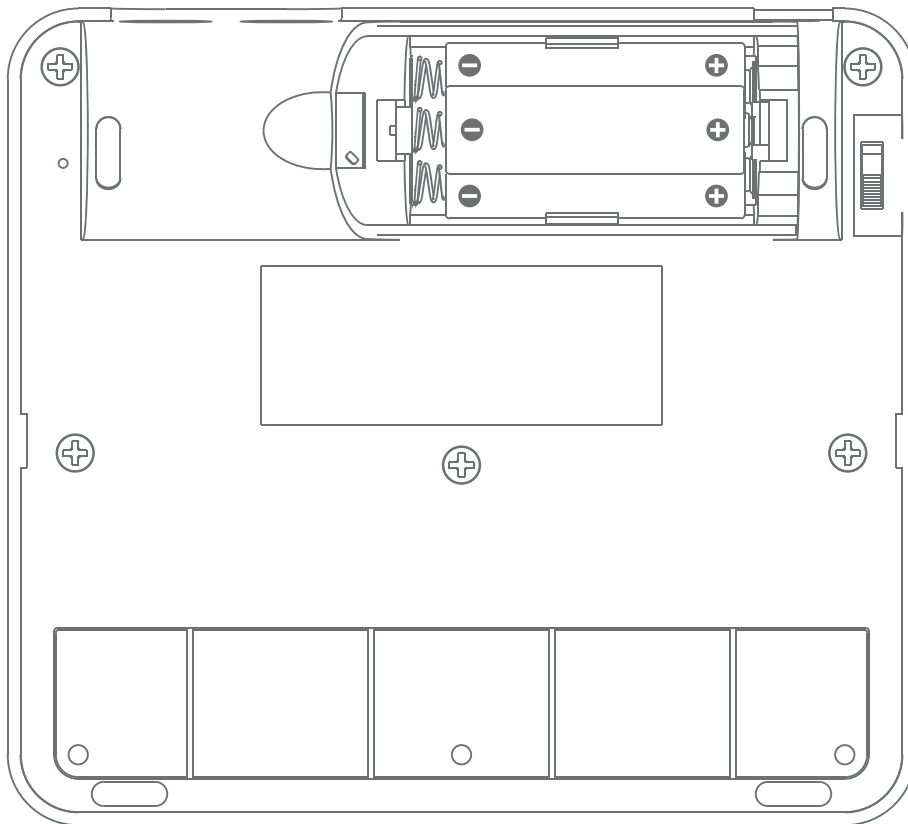
MODULATION

MOD SOURCES ON CRAFT = LF01, LF02 + MOD-EG
MOD SOURCES ON MODALapp = NOTE, VELOCITY, AFTERTOUCH, MODWHEEL + EXT CC
HOLD LF01 | LF02 | MOD-EG = ASSIGN MODE
ASSIGN + PARAMETER = MOD SLOT PARAM + DEPTH
ASSIGN + LED FLASH = INVALID DESTINATION

OTHER

KEY- + KEY+ = SUSTAIN ON/OFF
EG + A/D/S/R = ALL ENV A/D/S/R
LF01 | LF02 = SWITCH RATE/SHAPE DIAL TO EFFECT LF01 OR LF02
HOLD SHIFT + PRESET FOR 4 SECONDS - USE KEY- | KEY+ = MIDI CHANNEL

BATTERY INSTALLATION



ENSURE CORRECT BATTERY POLARITY - FAILURE TO INSTALL CORRECTLY MAY CAUSE PERMANENT DAMAGE